



# TABULATED DATA SHEET

## 8 X 24 X 6"

*Equipment Division*

STERND AHL ENTERPRISES, Inc. 11861 Branford St., Sun Valley, California-91352-Phone (888) 718-7734

### MANUFACTURERS DATA

MODEL NUMBER SEI-824DW-6	SHIELD WEIGHT 15304
SHIELD HEIGHT 8'	SPREADER SIZE 8" SCHED. 80
SHIELD LENGTH 24'	CLEARANCE (FRONT) 5'
WALL THICKNESS 6"	CLEARANCE (REAR) 5'
MAX. DEFLECTION 3.39 IN	

### ALLOWABLE LOADING & DEPTH

ALLOWABLE LOADING 1078 PSF			
ALLOWABLE SHIELD DEPTHS BY SOIL TYPE			
TYPE A-25	TYPE B-45	TYPE C-60	TYPE C-80
43 Ft.	24 Ft.	18 Ft.	13.5 Ft.

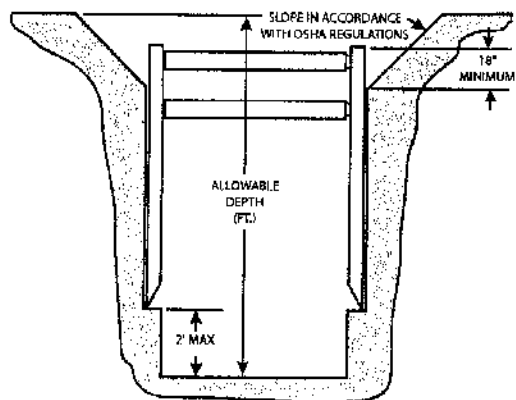
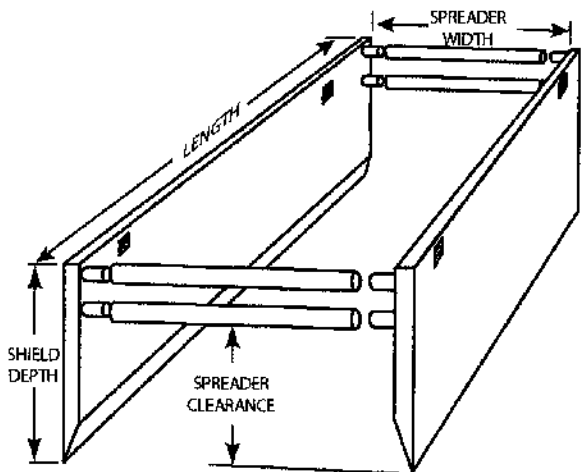
### NOTES:

- Excavation work shall be in compliance with Federal OSHA CFR 29, Part 1926, Subpart P, March 5, 1990 and Cal-OSHA Safety Orders Title 8, Sections 1504, & 1539 through 1547.
- Soils Classification shall be in compliance with Appendix A in Federal OSHA CFR 29, Part 1926, Subpart P.

#### Lateral Earth Pressures shall be determined as follows:

Soil Type A-25=	25 PSF X DEPTH
Soil Type B-45=	45 PSF X DEPTH
Soil Type C-60=	60 PSF X DEPTH
Soil Type C-80=	80 PSF X DEPTH

- Variances from these Assumed Lateral Earth Pressure Determinations requires supplemental Tabulated Data from a Registered Professional Engineer or from Sterndahl Enterprises, Inc.
- Any vertically sided soil extending above the trench shield must be sloped in compliance with the OSHA Regulations.
- A minimum of 4 spreaders (struts) must be in with pins & keepers installed while shield is being utilized.
- Shield may be held 2' above the bottom of the excavation, however, the loading shall be determined for the full depth of the cut.
- Surcharge loads are to be determined prior to use by a qualified Competent Person or a Registered Professional Engineer.
- Shields shall be assembled prior to installation in the trench.
- Shields may be stacked upon one another, turned upside down or stood upon their ends with no adverse effect on capability.
- Powered lifting equipment, and rigging devices shall have the requisite capacity to safely install, reposition and remove shields and their components.
- Steel plates or other appropriate sheeting may be utilized as barriers resting against the spreaders as long as those spreaders do not exceed 8' in length. For Spreader lengths longer than 8' consult a Registered Professional Engineer.

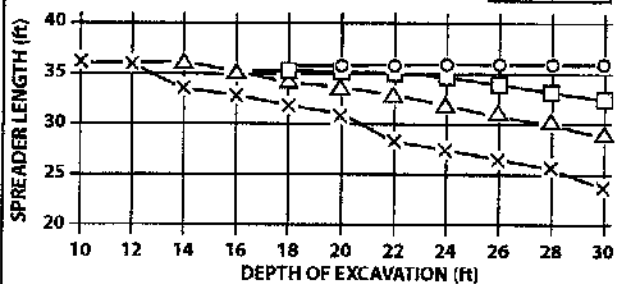


### ALLOWABLE SPREADER LENGTHS

SOIL TYPE SYMBOLS

A-25	○
B-45	△
C-60	×
C-80	□

8" SCHEDULE 80 SPREADER, 8' X 24' SHIELD



### J.M. Turner Engineering, Inc.

#### CONSULTING ENGINEERS

705 College Ave. Santa Rosa California, 95404  
Ph. (707) 526-4502 - Fax (707) 526-4505



DATE	REVISED	JOB NO.
7/28/02		6479

