



TABULATED DATA SHEET

MHB 6 X 8 X 8

Equipment Division

STERNDahl ENTERPRISES, Inc. 11861 Branford St., Sun Valley, California-91352-Phone (888) 718-7734

MANUFACTURERS DATA

MODEL NUMBER SEI-688MHB-4	MHB WEIGHT 4389
SHIELD HEIGHT 6'	RIGID FRAME DESIGN
SHIELD WALLS (Square) 8'	DOOR CLEARANCE (HEIGHT) N/A
WALL THICKNESS 4"	DOOR CLEARANCE (WIDTH) N/A
MAX. DEFLECTION .79 IN	

ALLOWABLE LOADING & DEPTH

ALLOWABLE LOADING	1423 PSF			
ALLOWABLE SHIELD DEPTHS BY SOIL TYPE				
TYPE A-25	TYPE B-45	TYPE C-60	TYPE C-80	
57 Ft.	32 Ft.	24 Ft.	18 Ft.	

NOTES:

- Excavation work shall be in compliance with Federal OSHA, CFR 29, Part 1926, Subpart P, March 5, 1990 and Cal-OSHA Safety Orders Title 8, Sections 1504, & 1539 through 1547.
- Soils Classification shall be in compliance with Appendix A in Federal OSHA CFR 29, Part 1926, Subpart P. & Appendix A in CAL-OSHA regulations.

Lateral Earth Pressures shall be determined as follows:

Soil Type A-25=	25 PSF X DEPTH
Soil Type B-45=	45 PSF X DEPTH
Soil Type C-60=	60 PSF X DEPTH
Soil Type C-80=	80 PSF X DEPTH

Variances from these Assumed Lateral Earth Pressure Determinations requires supplemental Tabulated Data designed by a Registered Professional Engineer or from Sterndahl Enterprises, Inc.

- The "Competent Person" shall insure that every shield in use has the capacity to resist lateral forces for the depth to which each shield is to be "effective".
- Any vertically sided soil extending above the trench shield must be sloped in compliance with the OSHA Regulations.
- Shield may be held 2' above the bottom of the excavation, however, the loading shall be determined for the full depth of the cut.
- Surcharge loads are to be determined prior to use by the sites qualified Competent Person or a Registered Professional Engineer.
- Manufacturer recommends that doors should be installed and secured in any unused openings in the shield during it's use.
- Shields may be stacked upon one another or turned upside down with no adverse effect on capability.
- Powered lifting equipment, and rigging devices shall have the requisite capacity to install, reposition and remove shields & components.
- Stacking of shields requires the use of pins in each corner (4) of the manhole box to secure them.

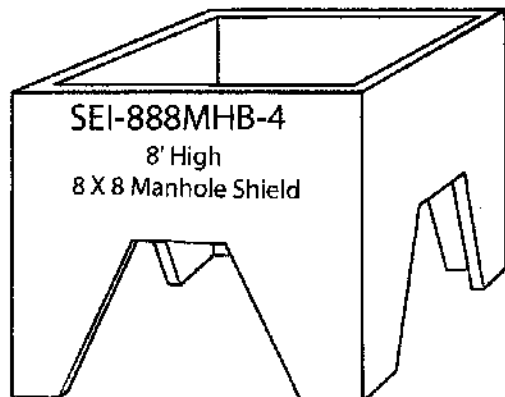
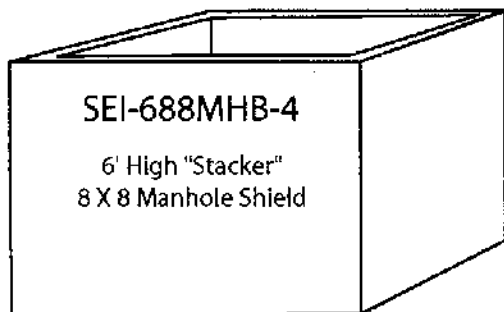
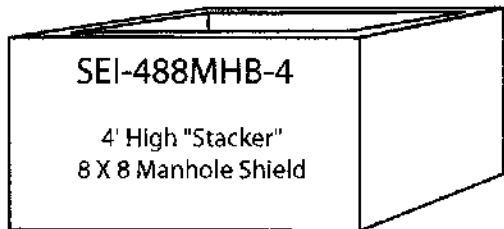
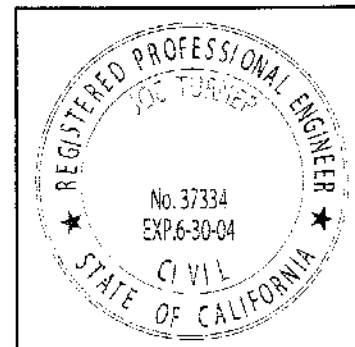
J.M. Turner Engineering, Inc.

CONSULTING ENGINEERS

705 College Ave. Santa Rosa California, 95404
Ph. (707) 526-4503 - Fax (707) 526-4505



DATE	REVISED	JOB NO.
7/28/02		6674



4 Sided-With or Without Doors

