

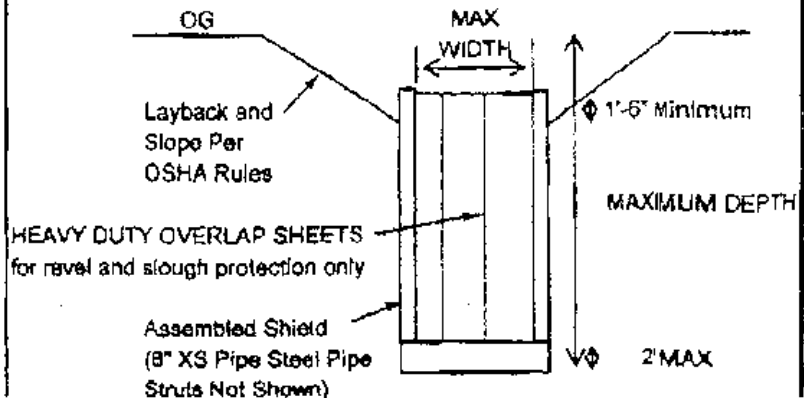
USE CHART FOR HEAVY DUTY OVERLAP SHEETING BY GRISWOLD MACHINE & ENGINEERING, INC

REFERENCE TO OCCUPATIONAL SAFETY AND HEALTH RULES
AND REGULATIONS, VOL. 54, NO. 209, SUBPART P

BOTTOM SHIELD CONFIGURATION		SHIELD MINIMUM PSF RATING	MAXIMUM ALLOWABLE DEPTH (D) OF EXCAVATION IN SOIL TYPE TO BE EXCAVATED (FEET)		
SHIELD SIZE HxL (FEET)	MAX INSIDE WIDTH (FEET)	MAXIMUM LATERAL EARTH PRESSURE @ TRENCH BASE IN PSF	TYPE A Stiff, Cohesive Soil 25 PSF per foot of depth	TYPE B Medium Cohesive Soil 45 PSF per foot of depth	TYPE C Soft Cohesive Soil 60 PSF per foot of depth
10x8	10.00	780	28.3	15.7	11.8
10x8	8.00	996	37.0	20.5	15.4
10x8	6.00	1332	50.4	28.0	21.0
10x12	9.00	798	29.0	16.1	12.1
10x12	6.00	1122	42.0	23.3	17.5
10x12	4.00	1422	54.0	30.0	22.5
10x16	8.00	810	29.5	16.4	12.3
10x16	7.00	894	32.9	18.3	13.7
10x16	5.00	1086	40.6	22.5	16.9
10x20	9.00	684	24.5	13.6	10.2
10x20	7.00	810	29.5	16.4	12.3
10x20	3.00	997	37.0	20.8	15.4
10x24	8.00	684	24.5	13.6	10.2
10x24	6.00	804	29.3	16.3	12.2
10x24	3.00	966	35.8	19.9	14.9
10x28	7.00	696	25.0	13.9	10.4
10x28	5.00	804	29.3	16.3	12.2
10x28	3.00	870	31.9	17.7	13.3
10x32	6.00	690	24.7	13.7	10.3
10x32	3.00	792	28.8	16.0	12.0
10x40	3.00	684	24.5	13.6	10.2



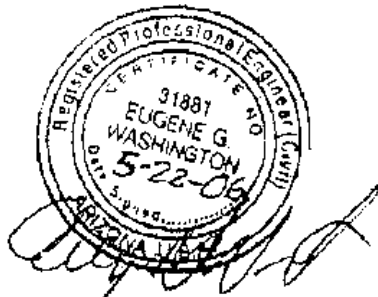
CERTIFIED BY:
EGW ENGINEERING, P. C.
4220 E. San Remo Avenue



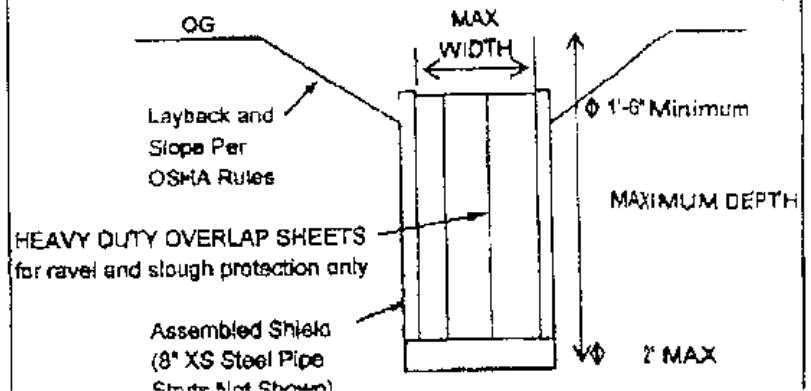
USE CHART FOR HEAVY DUTY OVERLAP SHEETING BY GRISWOLD MACHINE & ENGINEERING, INC

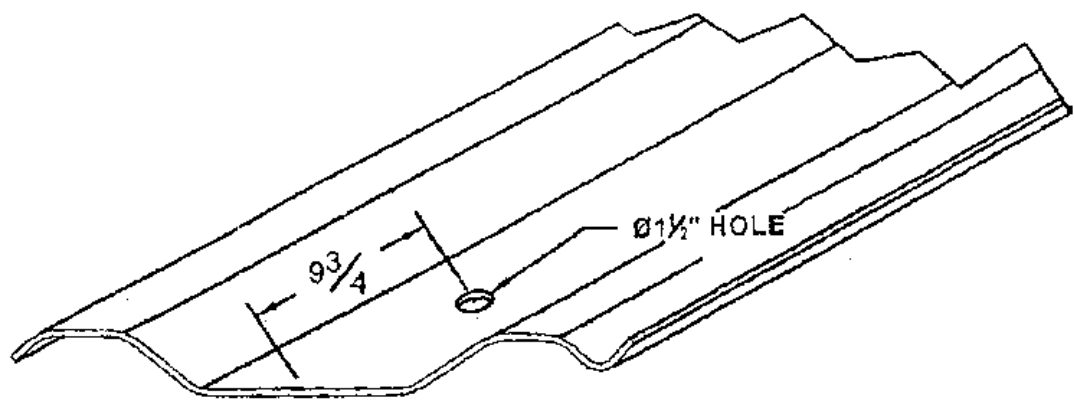
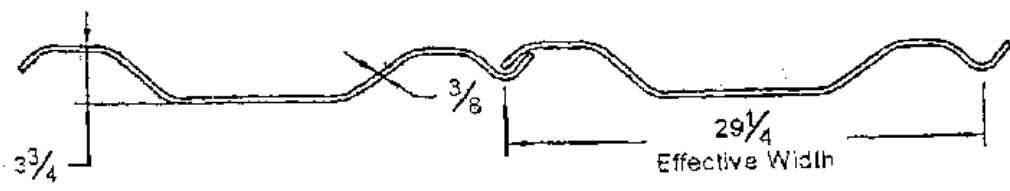
REFERENCE TO OCCUPATIONAL SAFETY AND HEALTH RULES
AND REGULATIONS, VOL. 54, NO. 209, SUBPART P

BOTTOM SHIELD CONFIGURATION		SHIELD MINIMUM PSF RATING	MAXIMUM ALLOWABLE DEPTH (D) OF EXCAVATION IN SOIL TYPE TO BE EXCAVATED (FEET)		
SHIELD SIZE HxL (FEET)	MAX INSIDE WIDTH (FEET)	MAXIMUM LATERAL EARTH PRESSURE @ TRENCH BASE IN PSF	TYPE A Stiff Cohesive Soil 25 PSF per foot of depth	TYPE B Medium Cohesive Soil 45 PSF per foot of depth	TYPE C Soft Cohesive Soil 60 PSF per foot of depth
8x10	11.00	828	30.2	16.8	12.6
8x10	9.00	1074	40.1	22.3	16.7
8x10	7.00	1446	55.0	30.5	22.9
8x12	10.00	852	31.2	17.3	13.0
8x12	8.00	1170	43.9	24.4	18.3
8x12	7.00	1350	51.1	28.4	21.3
8x16	9.00	942	34.8	19.3	14.5
8x16	7.00	1206	45.4	25.2	18.9
8x16	5.50	1450	55.1	30.6	23.0
8x20	10.00	791	28.8	16.0	12.0
8x20	8.00	972	36.0	20.0	15.0
8x20	6.00	1212	45.6	25.3	19.0
8x24	9.00	791	28.8	16.0	12.0
8x24	7.00	996	37.0	20.5	15.4
8x24	5.50	1150	43.1	24.0	18.0
8x28	10.00	708	25.4	14.1	10.6
8x28	8.00	840	30.7	17.1	12.8
8x28	6.00	1002	37.2	20.7	15.5
8x32	8.00	790	28.7	16.0	12.0
8x32	4.00	1050	39.1	21.7	16.3
8x35	4.00	990	36.7	20.4	15.3



CERTIFIED BY:
EGW ENGINEERING, P. C





ENGINEERING DATA

Area	A = 13.32 in ²
Moment of Inertia (Per Sheet)	I = 24.45 in ⁴
Section Modulus (Per Sheet)	S = 12.83 in ³
Radius of Gyration (Per Sheet)	R = 1.355 in
Yield Strength	F _y = 50,000# / in ²

Refer to Tabulated Data for specific use.

2.4375'

ALL PRICES ARE F.O.B. CHARLOTTE, MICHIGAN
 PHONE (517) 541-0303 * (800) 292-1225 * FAX (517) 541-0329
 MAILING ADDRESS: P. O. BOX 130, CHARLOTTE, MI 48813 * SHIPPING ADDRESS: 1298 LIPSEY DRIVE, CHARLOTTE, MI 48813