

J.M. TURNER ENGINEERING, INC. CONSULTING ENGINEERS

CIVIL, STRUCTURAL, & CONSTRUCTION ENGINEERING

1325 College Avenue * Santa Rosa, CA 95404 * Phone (707) 528-4503 * Fax (707) 528-4505

E-MAIL TRANSMITTAL COVER SHEET

TO: John Eichhorst
COMPANY: Trebor Shoring Rentals
PHONE: 619-520-9275
E-MAIL: john@tsrca.com

FROM: Hans Vermeulen
DATE: 03/28/2014
PAGES: 02 including cover sheet
RE: Tab Data

E-MAILED BY: HS TIME: 3:15pm

MESSAGE:

Please note that mailed copies can be provided upon request.

Thank you for your business!

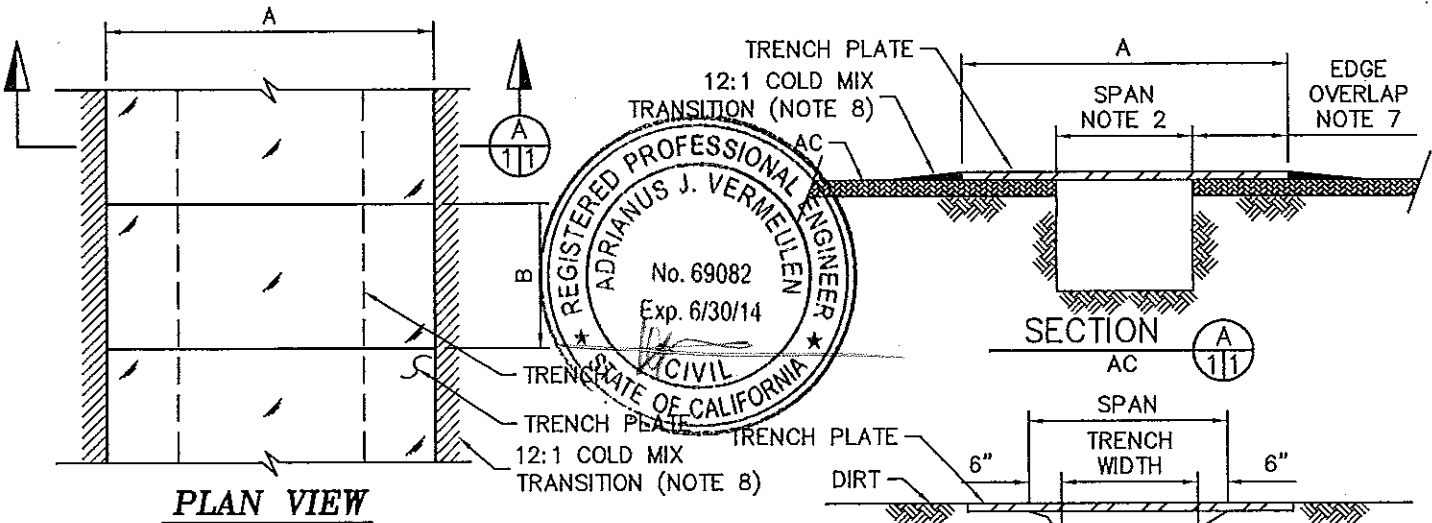
TREBOR SHORING RENTALS

MANUFACTURERS TABULATED DATA SHEET

TRAFFIC PLATES

HS-20-44 LOADING

| PLATE THICKNESS (IN) | MAX ALLOW. SPAN (FT) | PLATE SIZE (FT x FT) / WEIGHT (LB) | | | | |
|-------------------------|-------------------------|------------------------------------|----------|----------|----------|----------|
| | | 5' X 8' | 6' X 10' | 8' X 12' | 8' X 15' | 8' X 20' |
| 3/4" | 2'-6" | 1224 # | 1836 # | 2938 # | 3675 # | 4896 # |
| 7/8" | 3'-4" | 1428 # | 2142 # | 3427 # | 4288 # | 5712 # |
| 1" | 4'-6" | 1632 # | 2448 # | 3917 # | 4900 # | 6528 # |
| 1 1/4" | 7' | 2040 # | 3060 # | 4896 # | 6125 # | 8160 # |
| 1 1/2" | 10' | 2448 # | 3672 # | 5876 # | 7350 # | 9792 # |
| 2" | 14' | 3264 # | 4896 # | 7834 # | 9800 # | 13056 # |



NOTES

- PLATES ARE ASTM A36 MIN. STEEL, $F_y = 36$ KSI.
- SPAN OR TRENCH WIDTH IS DESIGNED FOR HS-20-44 LOADING. ANY SPACE EXCEEDING TABLE REQUIRES ENGINEERING.
- CHART IS BASED ON STABLE TRENCH. STABILITY TO BE DETERMINED BY COMPETENT PERSON OR ENGINEER.
- 3/4" THICK PLATES ARE NOT FOR ON-ROAD VEHICLE TRAFFIC USE; (THEY ARE RESTRICTED TO OFF-ROAD USE SUCH AS SIDE WALKS FOR FOOT TRAFFIC OR INSIDE WAREHOUSE TO COVER SMALL TRENCHES).
- PLATES MUST BE PLACED WITH POSITIVE CONTACT ON ALL SUPPORTING SURFACES AS TO PREVENT ACCIDENTAL MOVEMENT FROM TRAFFIC DEFLECTION (COLD PATCH CAN BE USED TO DISPLACE ANY VOIDS BETWEEN THE PLATE AND SUPPORTING SURFACE).
- PLATES MAY REQUIRE ANCHORAGE WHEN SPEEDS EXCEED 45 MPH OR ON SLOPES GREATER THAN 5% (IN ACCORDANCE WITH LOCAL REQUIREMENTS, COMPETENT PERSON, OR ENGINEER).
- EDGE OVERLAP SHALL BE AS FOLLOWS:
 - ASPHALT-TRAFFIC SPEED UNDER 45 MPH; TRENCH WIDTH + 24" MIN. (12" EA. PER SIDE)
 - ASPHALT-TRAFFIC SPEED OVER 45 MPH; TRENCH WIDTH + 48" MIN. (24" EA. PER SIDE)
 - DIRT-TRAFFIC SPEED UNDER 45 MPH; TRENCH WIDTH + 48" MIN. (24" EA. PER SIDE)
- THERE SHOULD BE A MINIMUM OF 12:1 COLD MIX TRANSITION RAMP ALL AROUND.

TITLE:

TRAFFIC PLATES

TREBOR SHORING RENTALS

663 GREENFIELD DRIVE
EL CAJON, CA. 92021

J.M. TURNER ENGINEERING, INC.
CONSULTING ENGINEERS



1325 COLLEGE AVE., SANTA ROSA, CA.
(707) 528-4503 FAX (707) 528-4505

DATE:

03/28/14

REVISED:

FILE NO:

13917-1/P1