

MANUFACTURERS TABULATED DATA SHEET

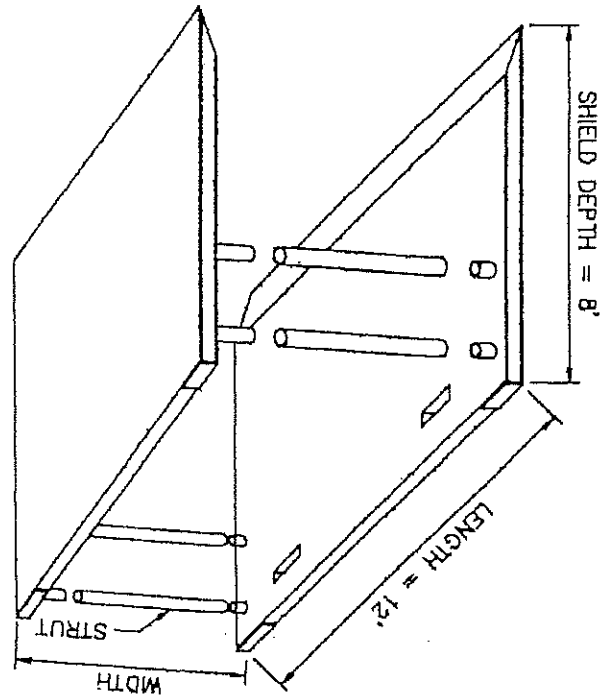
MANUFACTURER'S DATA

MODEL NO. SI-45DW-812	SHIELD DEPTH 8' SHIELD THICKNESS 4"
-----------------------	-------------------------------------

SHIELD DEPTH 8' LENGTH 12' ALLOWABLE SOIL DEPTH 1690 PSF
 TOTAL SHIELD WEIGHT 6000 LBS. STRUT 8" SCH 80

ALLOWABLE LOADING AND DEPTH

ALLOWABLE LOADING	1690 PSF
ALLOWABLE SOIL DEPTH	TYPE A-25 30 FT.
	TYPE B-45 30 FT.
	TYPE C-60 28 FT.
	TYPE C-80 21 FT.



NOTES:

1. ALL EXCAVATIONS SHALL BE IN CONFORMANCE WITH OSHA CFR 29, PART 1926, SUBPART P, JULY 1997, AND CAL OSHA SAFETY ORDERS TITLE 8 SECTION'S 1504, 1539-1547.
2. SOILS CLASSIFICATION SHALL BE IN COMPLIANCE WITH APPENDIX A IN OSHA CFR 29, PART 1926, SUBPART P, LATERAL EARTH PRESSURE SHALL BE DETERMINED AS FOLLOWS:
 TYPE A-25 SOIL 25 PSF X DEPTH
 TYPE B-45 SOIL 45 PSF X DEPTH
 TYPE C-60 SOIL 60 PSF X DEPTH
 TYPE C-80 SOIL 80 PSF X DEPTH

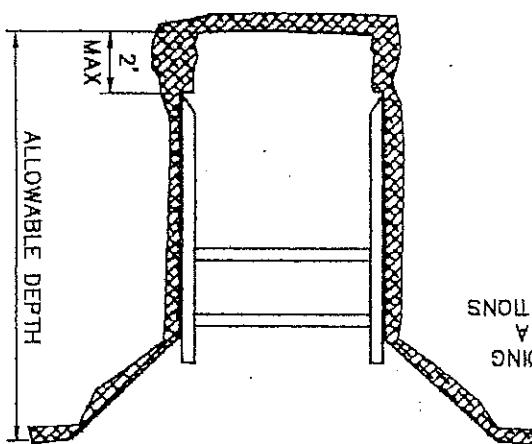
3. ANY VARIATION MUST BE APPROVED IN WRITING BY TRENCH PLATE RENTAL REGULATIONS.
4. SOIL ABOVE TOP OF SHIELD TO BE SLOPED ACCORDING TO OSHA REGULATIONS.
5. STRUTS MUST REMAIN IN PLACE WHILE SHIELD IS IN EXCAVATION. HOWEVER LOADING SHALL BE DETERMINED FOR FULL TRENCH DEPTH.
7. SURCHARGE LOAD TO BE DETERMINED BY A COMPETANT PERSON OR ENGINEER.
8. SHIELD SHALL BE ASSEMBLED PRIOR TO USE IN EXCAVATION.
9. SHIELDS MAY BE STACKED.
10. SHIELD LIFTING SYSTEMS SHALL BE DESIGNED FOR SHIELD WEIGHT AND STRUT WEIGHT + AN APPROPRIATE FACTOR OF SAFETY.

STEEL PLATES OR SHEETING MAY BE USED ON ENDS OF SHIELD FOR WIDTHS UP TO 8' FOR WIDTHS WIDER THAN 8FT. USE A DESIGN BY A REGISTERED CIVIL ENGINEER.



3. ANY VARIATION MUST BE APPROVED IN WRITING BY TRENCH PLATE RENTAL REGULATIONS.

SLOPE ACCORDING TO OSHA REGULATIONS



TITLE: 8' X 12' SHIELD

UNDERGROUND

J.M. TURNER ENGINEERING, INC.
CONSULTING ENGINEERS
 705 COLLEGE AVE. SANTA ROSA, CA. 95404
 (707) 538-4503 FAX (707) 538-4505
 4534 S.E. 17TH AVE. PORTLAND, OR. 97203
 (503) 234-2402 FAX (503) 234-2328



DATE: 3/11/98
 REVISED:
 JOB NO. 5133/BX72