

**TRENCH SHORE RENTALS**  
A Division of Woudenberg Industries

3020 S. 19th Ave. Phoenix AZ 85009  
Phone: (602)-253-3311

**TRENCH SHIELD  
CERTIFICATION**

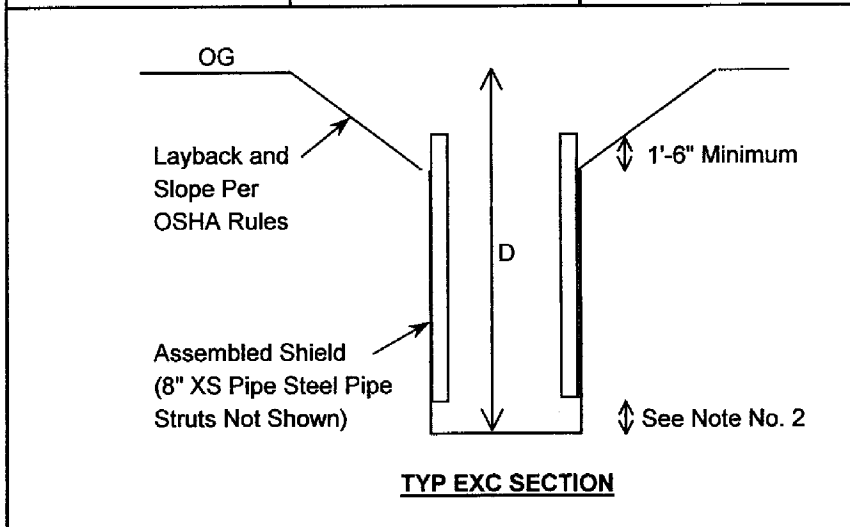
**MODEL** 4' high x 12' long x 4" Wall **SERIAL #** 412DW400

REFERENCE TO OCCUPATIONAL SAFETY AND HEALTH RULES  
AND REGULATIONS, VOL. 54, NO. 209, SUBPART P

SHIELD SIZE		PSF RATING	MAXIMUM ALLOWABLE DEPTH ( D ) OF EXCAVATION IN SOIL TYPE TO BE EXCAVATED (FEET)		
HEIGHT (FEET)	LENGTH (FEET)	MAXIMUM LATERAL EARTH PRESSURE '@ TRENCH BASE IN PSF	TYPE A Stiff, Cohesive Soil 25 PSF per foot of depth	TYPE B Medium Cohesive Soil 45 PSF per foot of depth	TYPE C Soft Cohesive Soil 60 PSF per foot of depth
4	12	1512	57.6	32.0	24.0

- LIMITATIONS IN USE TABLE**
1. Trench shield to be assembled and installed in accordance with Manufacture's instructions.
  2. Excavation 2 feet below bottom of shield is permitted when no loss of soil from behind or below shield occurs.
  3. Shields may be stacked with no reduction of PSF rating.
  4. Excavation depths are based on types of soil. Verify soil type prior to shield use.
  5. All modifications and/or alterations must be approved in writing by a Registered Engineer.
  6. Depth certifications are based on soil load duration not exceeding 24 hours.

DESCRIPTION	DESCRIPTION	DESCRIPTION
Clay, silty clay, sandy clay, clay loam Unconfined compressive strength of 1.5 tps or greater	Clay, cohesionless gravel, sands and silt Unconfined compressive strength of 0.5 tps to 1.5 tps	Clay, submerged gravel, sands and silt Unconfined compressive strength of less than 0.5 tps



**CERTIFIED BY:**  
EGW ENGINEERING, P. C.  
4220 E. San Remo Avenue  
Higley, Arizona 85236

**FOR:**  
Trench Shore Rentals

USE THIS PRODUCT ONLY IN ACCORDANCE WITH ALL  
APPLICABLE FEDERAL, STATE AND LOCAL REGULATIONS

Caution: Any use of this product not described on this certificate  
could cause collapse resulting in serious injury or death.