

TRENCH SHIELD CERTIFICATION

A COPY OF THIS SHEET MUST ACCOMPANY EACH CORRESPONDING
TRENCH SHIELD AT EVERY JOB SITE



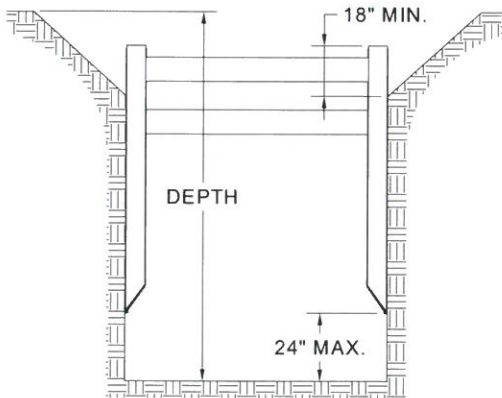
MODEL NUMBER	WEIGHT	SERIAL NUMBERS	SIZE
PRO4-824DNKE	11,292	31645	8' x 24'

*Shield capacity is based on a triangular pressure distribution with the maximum pressure at the bottom of the excavation.

LIMITATIONS

SOIL	MAX DEPTH (FT)	CAPACITY (PSF)
TYPE A	34	840*
TYPE B	19	
TYPE C-60	14	
TYPE C-80	11	

- 1.) This tabulated data has been prepared by a registered professional engineer as required to comply with OSHA standard 29 CFR part 1926, subpart P.
- 2.) Shield may be suspended no more than 2 feet above bottom of the trench and only if there is no possible loss of soil from behind or below bottom of shield.
- 3.) Surcharge loads have not been included in the above depth ratings. The allowable working depth of the shield must be reduced to account for any surcharge loading which occurs within the influence line of the shield. Otherwise, site specific engineering is required.
- 4.) Shoring shields shall be installed in a manner that will prevent lateral or otherwise hazardous movement of soils. Shoring shields are not intended to provide stability to adjacent buildings or other structures.
- 5.) Shield to be used with pipe 8 x-Strong spreaders with a minimum yield strength of 35 ksi, and limited to a maximum length of 20'.
- 6.) Soil above shield must be sloped according to OSHA Subpart P, & must begin no less than 18" below top of panel. Excavations over 20'-deep with slopes require site specific approval.
- 7.) Shields may be stacked as long as each panel is rated to the depth it is used and manufacturer approved stack connections are utilized to prevent lateral movement of the shields.
- 8.) No steel plates, sheet piles, or sheathing of any kind may be leaned against, or otherwise supported by pipe spreaders at any time. Do not suspend load from pipe spreaders.
- 9.) Contractors' competent person is fully responsible for classifying soils in accordance with OSHA guidelines, prior to use of system.
- 10.) Any modifications to panels will void tabulated data unless otherwise specified or allowed in writing by Pro-Tec Equipment.
- 11.) Shields must be inspected prior to each use for any damage or deterioration. If any assembly has sustained damage or permanent deformation, the tabulated data is void until repairs are made as specified by a registered professional engineer.
- 12.) Pro-Tec shoring systems are to be used in accordance with Federal, state and local laws. Refer to Occupational Safety and Health Administration (OSHA) rules and regulations Vol. 54, No. 209, 10/31/89. Subpart P.
- 13.) Contractor is fully responsible for ensuring groundwater level on all sides of shoring is maintained below base of excavation at all times, otherwise certification is invalid.
- 14.) Tab data is only valid for trench shield model and serial number shown above with framing shown on Pro-Tec fabrication drawings dated 09/2/2015 for trench shield model number PRO4-824DNKE/SP.



SEP 08 2015

2" DIAM. PINS SHALL HAVE MIN $F_u = 92$ KSI.
CONTRACTOR RESPONSIBLE FOR ENSURING
PROPER GRADE PINS ARE IN PLACE PRIOR TO
SHIELD USE.

Capacity and depth ratings account for 33%
overstress for short-term loading condition

**Usage of shields other than specified could cause failure
or cave-ins resulting in serious injury or death.**

Phone (517) 541-0303 ~ 1-800-292-1225 ~ Fax (517) 541-0329
Address: 4837 West Grand River Ave. ~ Lansing, MI 48906



TRINITY SHORING PRODUCTS, INC.
A TRINITY MINING & CONSTRUCTION EQUIPMENT, INC. COMPANY

TRENCH SHIELD CERTIFICATION

A COPY OF THIS SHEET MUST ACCOMPANY EACH CORRESPONDING TRENCH SHIELD AT EVERY JOB SITE



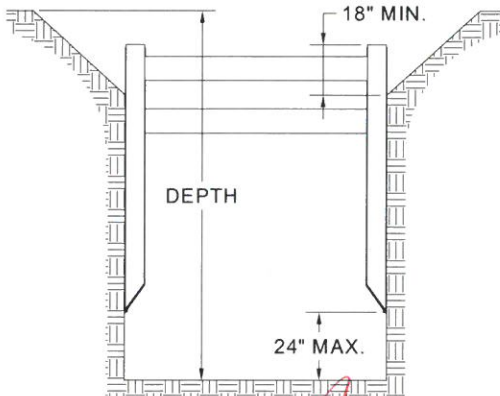
MODEL NUMBER	WEIGHT	SERIAL NUMBERS	SIZE
PRO4-812DNKE	6,531	31609	8' x 12'

*Shield capacity is based on a triangular pressure distribution with the maximum pressure at the bottom of the excavation.

LIMITATIONS

SOIL	MAX DEPTH (FT)	CAPACITY (PSF)
TYPE A	40	2040*
TYPE B	40	
TYPE C-60	34	
TYPE C-80	20	

- 1.) This tabulated data has been prepared by a registered professional engineer as required to comply with OSHA standard 29 CFR part 1926, subpart P.
- 2.) Shield may be suspended no more than 2 feet above bottom of the trench and only if there is no possible loss of soil from behind or below bottom of shield.
- 3.) Surcharge loads have not been included in the above depth ratings. The allowable working depth of the shield must be reduced to account for any surcharge loading which occurs within the influence line of the shield. Otherwise, site specific engineering is required.
- 4.) Shoring shields shall be installed in a manner that will prevent lateral or otherwise hazardous movement of soils. Shoring shields are not intended to provide stability to adjacent buildings or other structures.
- 5.) Shield to be used with pipe 8 x-Strong spreaders with a minimum yield strength of 35 ksi, and limited to a maximum length of 20'.
- 6.) Soil above shield must be sloped according to OSHA Subpart P, & must begin no less than 18" below top of panel. Excavations over 20'-deep with slopes require site specific approval.
- 7.) Shields may be stacked as long as each panel is rated to the depth it is used and manufacturer approved stack connections are utilized to prevent lateral movement of the shields.
- 8.) No steel plates, sheet piles, or sheathing of any kind may be leaned against, or otherwise supported by pipe spreaders at any time. Do not suspend load from pipe spreaders.
- 9.) Contractors' competent person is fully responsible for classifying soils in accordance with OSHA guidelines, prior to use of system.
- 10.) Any modifications to panels will void tabulated data unless otherwise specified or allowed in writing by Pro-Tec Equipment.
- 11.) Shields must be inspected prior to each use for any damage or deterioration. If any assembly has sustained damage or permanent deformation, the tabulated data is void until repairs are made as specified by a registered professional engineer.
- 12.) Pro-Tec shoring systems are to be used in accordance with Federal, state and local laws. Refer to Occupational Safety and Health Administration (OSHA) rules and regulations Vol. 54, No. 209, 10/31/89. Subpart P.
- 13.) Contractor is fully responsible for ensuring groundwater level on all sides of shoring is maintained below base of excavation at all times, otherwise certification is invalid.
- 14.) Tab data is only valid for trench shield model and serial number shown above with framing shown on Pro-Tec fabrication drawings dated 08/21/2015 for trench shield model number PRO4-812DNKE/SP.



SEP 08 2015

2" DIAM. PINS SHALL HAVE MIN $F_u = 92$ KSI.
CONTRACTOR RESPONSIBLE FOR ENSURING PROPER GRADE PINS ARE IN PLACE PRIOR TO SHIELD USE.

Capacity and depth ratings account for 33% overstress for short-term loading condition

Usage of shields other than specified could cause failure or cave-ins resulting in serious injury or death.

Phone (517) 541-0303 ~ 1-800-292-1225 ~ Fax (517) 541-0329
Address: 4837 West Grand River Ave. ~ Lansing, MI 48906



TRINITY SHORING PRODUCTS, INC.
A TRINITY MINING & CONSTRUCTION EQUIPMENT, INC. COMPANY