



Chandler, Arizona
PHONE (800) 380-0103, (480) 838-5329

MODEL

SXLDM888

SERIAL NUMBER

26041

REFERENCE TO OCCUPATIONAL SAFETY AND HEALTH ADMINISTRATION RULES AND REGULATIONS, 29 CFR, NO 209, PART 1926, SUBPART P

SHIELD SIZE			PSF RATING	MAXIMUM ALLOWABLE DEPTH OF CUT (FEET)		
				D		
			SOIL TYPE TO BE EXCAVATED			
HEIGHT (FEET)	LENGTH (FEET)	WIDTH (FEET)	MAXIMUM LATERAL EARTH PRESSURE CAPACITY AT SHIELD BOTTOM IN POUNDS PER SQUARE FOOT	TYPE A Stiff, cohesive soil. 25 PSF per foot of depth	TYPE B Medium cohesive to granular soil. 45 PSF per foot of depth.	TYPE C Soft cohesive to submerged soil. 60 PSF per foot of depth
8	8	8	1500	60	33	25

LIMITATIONS IN USE OF TABLE

- TRENCH SHIELD TO BE ASSEMBLED AND INSTALLED AS SHOWN AND IN ACCORDANCE WITH MANUFACTURER'S INSTRUCTIONS.
- EXCAVATION 2 FEET BELOW BOTTOM OF SHIELD IS PERMITTED WHEN NO LOSS OF SOIL FROM BEHIND OR BELOW THE BOTTOM OF SHIELD IS ENCOUNTERED. SEE PARAGRAPH 1926.652 (e)(2)(i). THE COMPETENT PERSON SHALL MAKE THE DETERMINATION FOR COMPLIANCE. SUDDEN SHIFTING OF THE SHIELD VERTICALLY SHALL BE AVOIDED.
- CONSULT MANUFACTURER WHEN RESTRICTION ON NOTE 2 IS NOT MET.
- ADDITIONAL SHIELDS MAY BE STACKED WITH NO PENALTY IN DEPTH OF CUT AS LONG AS THE RATING OF THE BOTTOM SHIELD IS NOT EXCEEDED.
- DEPTHS OF CUTS SHOWN ARE BASED ON EXAMPLES OF VARIOUS SOIL CONDITIONS. VERIFY ACTUAL SOIL PRESSURES PRIOR TO EACH USE.
- ANY MODIFICATIONS OR ALTERATIONS NOT ALLOWED UNLESS APPROVED IN WRITING BY EFFICIENCY PRODUCTION, INC.
- CONTRACTOR'S COMPETENT/QUALIFIED PERSON SHALL BE RESPONSIBLE FOR MONITORING SOIL CONDITIONS
- THE SIDES OF THE EXCAVATION SHALL BE CUT VERTICAL AND NARROW TO PREVENT LATERAL MOVEMENT OF THE MANGUARD. IF NECESSARY, BACK FILL AROUND THE MANGUARD TO A HEIGHT SUFFICIENT TO PREVENT LATERAL MOVEMENT.
CONTINUED ON REVERSE SIDE

DESCRIPTION

Clay, silty clay, sandy clay, clay loam, unconfined compressive strength of 1.5 tons per square foot or greater. (see note 8 on reverse side)

DESCRIPTION

Clay with unconfined compressive strength greater than .5 TSF but less than 1.5 TSF, cohesionless gravel, silt, silt loam or sandy loam. (see note 9 on reverse side)

DESCRIPTION

Clay with unconfined compressive strength less than .5 TSF submerged sand, clay or fractured rock that is not stable. (see note 10 on reverse side)

NOTE: CUTOUTS ARE OPTIONAL

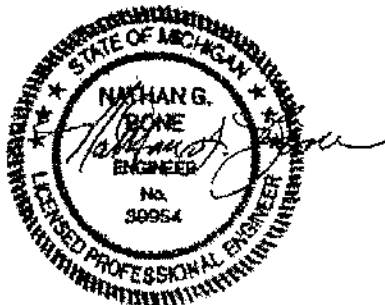
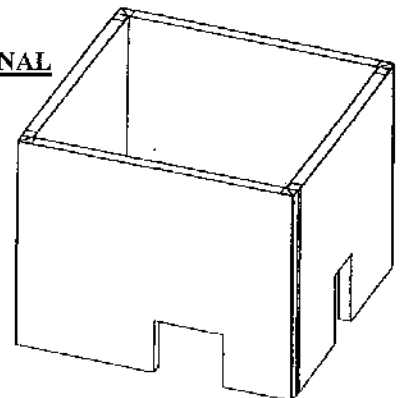
A-SOILS
(.75 TO 1 SLOPE)



B-SOILS
(1 TO 1 SLOPE)



C-SOILS
(1.5 TO 1 SLOPE)



CERTIFIED BY:

EFFICIENCY PRODUCTION, INC.
MARCH 8, 2006

COPYRIGHT

1991 EFFICIENCY PRODUCTION, INC.
ALL RIGHTS RESERVED

MANUFACTURED UNDER ONE OR MORE OF THE FOLLOWING U.S. PATENT NUMBERS:
4,090,365-4,114,383-4,259,028
ONE OR MORE OF THE FOLLOWING CANADIAN PATENT NUMBERS: 1,062,683-1,062,684

USE THIS PRODUCT ONLY IN ACCORDANCE WITH APPLICABLE FEDERAL, STATE, OR LOCAL LAWS

Any use of this product not specifically described on this certificate could cause cave-in, collapse, or structural failure resulting in death or serious injury.

9. NOT TYPE A IF FISSURED, SUBJECT TO VIBRATION, PREVIOUSLY DISTURBED OR PART OF A SLOPED LAYERED SYSTEM WHERE LAYERS DIP INTO EXCAVATION ON A SLOPE OF FOUR HORIZONTAL TO ONE VERTICAL (4H:1V) OR GREATER.
 10. PREVIOUSLY DISTURBED SOILS MAY BE TYPE B UNLESS THEY WOULD BE CLASSIFIED AS TYPE C. SOIL THAT MEETS REQUIREMENTS OF TYPE A, BUT IS SUBJECT TO VIBRATION OR FISSURED MAY BE TYPE B; DRY ROCK THAT IS NOT STABLE OR SOIL THAT IS PART OF A SLOPED, LAYERED SYSTEM WHERE LAYERS DIP INTO THE EXCAVATION ON A SLOPE LESS STEEP THAN FOUR HORIZONTAL TO ONE VERTICAL (4H:1V) ARE TYPE B IF MATERIAL WOULD OTHERWISE BE CLASSIFIED AS TYPE B.
 11. SOIL IN A SLOPED LAYERED SYSTEM WHERE LAYERS DIP INTO THE EXCAVATION ON A SLOPE OF FOUR HORIZONTAL TO ONE VERTICAL (4H:1V) OR STEEPER MAY BE TYPE C. SUBMERGED SOIL IS MATERIAL WITH WATER FREELY SEEPING AND ENTERING THE TRENCH, BUT ONLY PART OF THE DEPTH OF THE RETAINED SOIL IS SUBMERGED. CONDITIONS MORE SEVERE WOULD REQUIRE DEWATERING OR SEALING FOUR SIDES OF THE EXCAVATION AND PUMPING THE TRENCH. SUCH SEVERE CONDITIONS WOULD REQUIRE THE SERVICES OF A SOILS ENGINEER TO ESTABLISH THE DESIGN PRESSURE. CONSULT THE MANUFACTURER FOR PRESSURES EXCEEDING TABULATED VALUES.
 12. SHIELD WAS DESIGNED TO BE USED WITHOUT PLATES EXTENDING BELOW, ABOVE, OR NEXT TO IT. ANY USE OF SUCH PLATES OR PANELS MAY VOID THE TABULATED DATA AND MAY REQUIRE SITE SPECIFIC ENGINEERING.
 13. TRENCH SHIELDS ARE DESIGNED TO BE PUSHED TO GRADE IF NECESSARY. AS NOTED BELOW ANY UNNECESSARY ABUSE BY THE EXCAVATOR AND OR OPERATOR (SUCH AS POUNDING WITH THE BUCKET) WILL VOID THE TABULATED DATA AS WELL AS THE WARRANTY.
 14. AN EXCAVATOR SHALL BE RATED TO HANDLE 1 1/2 TIMES THE WEIGHT OF THE SHIELD (ACCORDING TO THE MANUFACTURERS LIFTING CAPACITY CHART FOR THAT MACHINE) AT GRADE AND AT A RADIUS OF 20' FROM THE CENTER OF THE EXCAVATOR.
- * This material is intended to provide basic assembly and installation information only.
 - * Always use trench shield in accordance with applicable local, state, and federal safety laws and regulations. Failure to do so could cause severe injury or death.
 - * No deviation from the shield specifications, recommendations, and limitations is allowed without EPI's written approval.