



Chandler, Arizona  
PHONE (800) 380-0103

MODEL **S4D4X12** SERIAL NUMBER **25153**

REFERENCE TO OCCUPATIONAL SAFETY AND HEALTH ADMINISTRATION RULES AND REGULATIONS, 29 CFR, NO 209, PART 1926, SUBPART P

SHIELD SIZE		PSF RATING	MAXIMUM ALLOWABLE DEPTH OF CUT (FEET)		
			D		
		SOIL TYPE TO BE EXCAVATED			
HEIGHT (FEET)	LENGTH (FEET)	MAXIMUM LATERAL EARTH PRESSURE CAPACITY AT TRENCH BOTTOM IN POUNDS PER SQUARE FOOT	TYPE A	TYPE B	TYPE C
			4	12	2760

**TYPE A**  
STIFF, COHESIVE SOIL. 25 PSF PER FOOT OF DEPTH.

**TYPE B**  
MEDIUM COHESIVE TO GRANULAR SOIL. 45 PSF PER FOOT OF DEPTH.

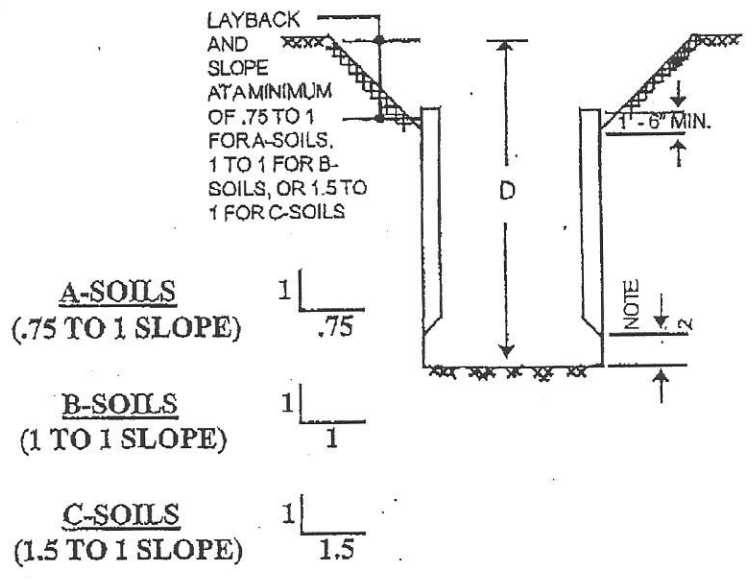
**TYPE C**  
SOFT COHESIVE TO SUBMERGED SOIL. 60 PSF PER FOOT OF DEPTH.

- LIMITATIONS IN USE OF TABLE**
- TRENCH SHIELD TO BE ASSEMBLED AND INSTALLED AS SHOWN AND IN ACCORDANCE WITH MANUFACTURER'S INSTRUCTIONS.
  - EXCAVATION 2 FEET BELOW BOTTOM OF SHIELD IS PERMITTED WHEN NO LOSS OF SOIL FROM BEHIND OR BELOW THE BOTTOM OF SHIELD IS ENCOUNTERED. SEE PARAGRAPH 1926.652 (e)(2)(i). THE COMPETENT PERSON SHALL MAKE THE DETERMINATION FOR COMPLIANCE. SUDDEN SHIFTING OF THE SHIELD VERTICALLY, SHALL BE AVOIDED.
  - CONSULT MANUFACTURER WHEN RESTRICTION ON NOTE 2 IS NOT MET.
  - ADDITIONAL SHIELDS MAY BE STACKED WITH NO PENALTY IN DEPTH OF CUT AS LONG AS THE RATING OF THE BOTTOM SHIELD IS NOT EXCEEDED.
  - DEPTHS OF CUTS SHOWN ARE BASED ON EXAMPLES OF VARIOUS SOIL CONDITIONS. VERIFY ACTUAL SOIL PRESSURES PRIOR TO EACH USE.
  - ANY MODIFICATIONS OR ALTERATIONS NOT ALLOWED UNLESS APPROVED IN WRITING BY EFFICIENCY PRODUCTION, INC.
  - CONTRACTOR'S COMPETENT/QUALIFIED PERSON SHALL BE RESPONSIBLE FOR MONITORING SOIL CONDITIONS.  
CONTINUED ON REVERSE SIDE

**DESCRIPTION**  
Clay, silty clay, sandy clay, clay loam, unconfined compressive strength of 1.5 tons per square foot or greater. (see note 8 on reverse side)

**DESCRIPTION**  
Clay with unconfined compressive strength greater than .5 TSF but less than 1.5 TSF, cohesionless gravel, silt, silt loam or sandy loam. (see note 9 on reverse side)

**DESCRIPTION**  
Clay with unconfined compressive strength less than .5 TSF submerged sand, clay or fractured rock that is not stable. (see note 10 on reverse side)



**CERTIFIED BY:**  
EFFICIENCY PRODUCTION, INC.  
MAY 17, 2005

**COPYRIGHT:**  
1991 EFFICIENCY PRODUCTION, INC.  
ALL RIGHTS RESERVED

MANUFACTURED UNDER ONE OR MORE OF THE FOLLOWING U.S. PATENT NUMBERS;  
4,090,365-4,114,383-4,259,028  
ONE OR MORE OF THE FOLLOWING CANADIAN PATENT NUMBERS: 1,062,683-1,062,684

USE THIS PRODUCT ONLY IN ACCORDANCE WITH APPLICABLE FEDERAL, STATE, OR LOCAL LAWS

Any use of this product not specifically described on this certificate could cause cave-in, collapse, or structural failure resulting in death or serious injury.